

# Service and Repair Instructions

## Vertex Fasteners Coil Nailer Type VA0259

This Spare parts list/service instructions and the enclosed Operator's Manual constitute the Operating Instructions. Before using read both and strictly observe safety instructions.

### Loading of magazine

Depress door latch on nose-housing door and open magazine cover (fig. 1). Adjust nail support to required nail length. Four adjustments are possible. To adjust lift guidepost until it engages in the required position (fig. 2). Insert the nail coil into the magazine, feed the nails forward locating the first nail between the feed pawl. Then close the magazine cover and the nose-housing door.

**Attention!** Always disconnect the tool from its air supply and empty magazine before attempting any repair. Always fix the cap with 4 cap screws VC7380 and a torque wrench adjusted to 14 Nm.

### To replace driver blade

Take out 4 cap screws VC7380 (fig. 3) and remove the head valve cap. The piston with driver blade can now be removed by using a spare driver blade and pushing it from below (fig. 4). Remove the piston o-ring and heat the piston driver connection to loosen the lock-tite. Remove driver from piston and apply lock-tite to new driver. Before refitting replace piston O-ring VC7263 and grease.

### To replace bumper and cylinder

See instructions "to replace driver blade", then take out piston-driver assembly. Invert machine and tap gently on wooden surface (fig. 5). By the impact, cylinder and bumper will come out and can easily be removed from the housing. Replace damaged parts and grease before refitting.

### To replace O-rings in the head valve assembly

See instructions "to replace driver blade". Take out valve and replace worn O-rings. Grease O-rings before refitting.

Figure 1

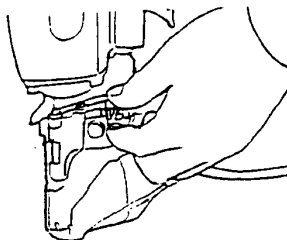


Figure 4

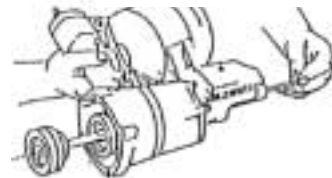


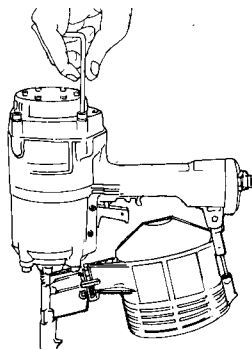
Figure 2



Figure 5



Figure 3



# Tool Parts

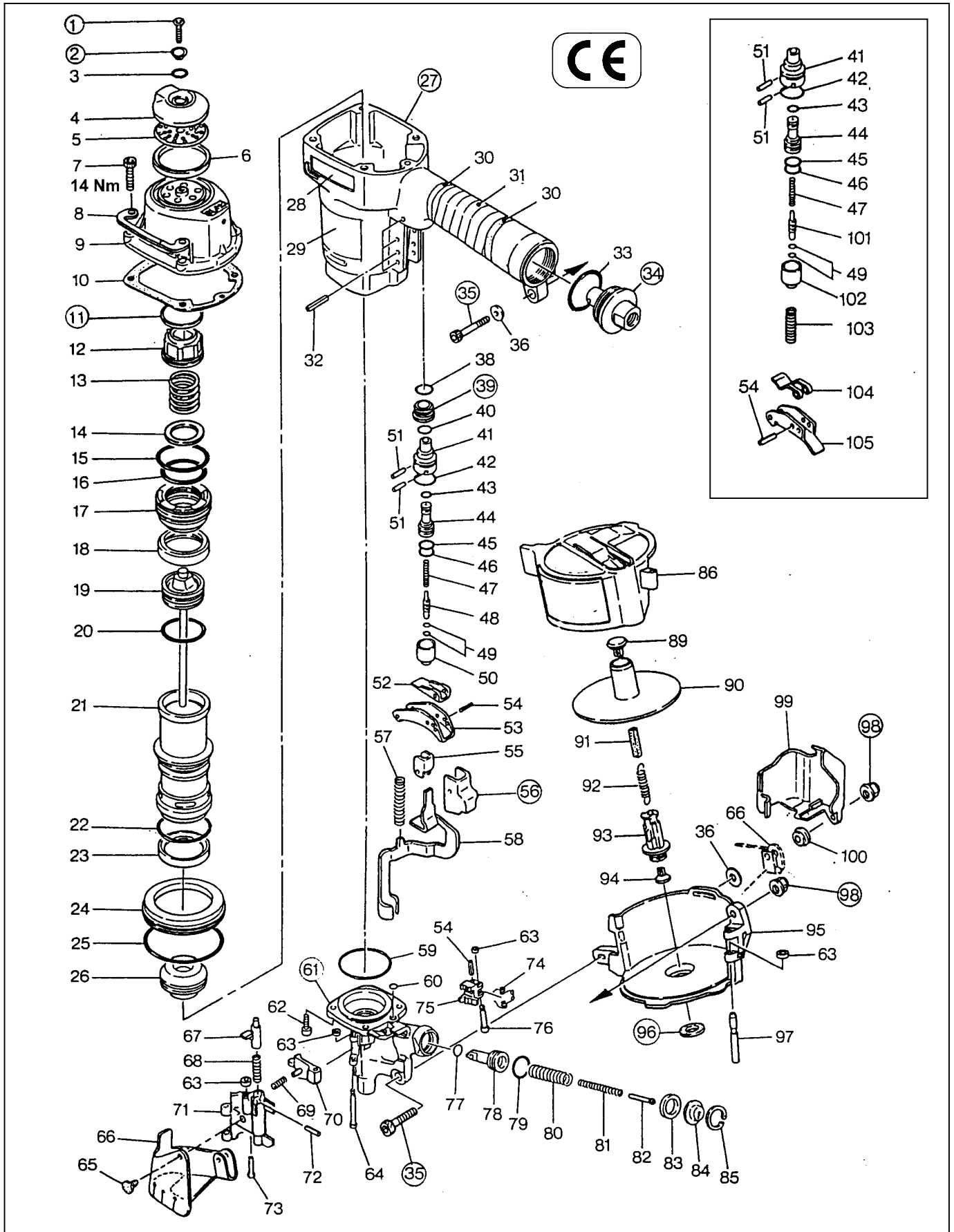
## Vertex Fasteners Coil Nailer Type VA0259

Call-out #	Part Number	Description	Quantity
1	VC7200	Screw	1
2	VC7201	Exhaust cover holder	1
3	VC7194	O-ring	1
4	VC7242	Exhaust cover	1
5	VC7244	Exhaust filter	1
6	VC7241	Exhaust cover seal	1
7	VC7380	Socket head cap screw	4
8	VC7023	Frame protector	1
9	VC7240	Head valve cap	1
10	VC7239	Gasket	1
11	VC7238	Spacer exhaust	1
12	VC7243	Piston stop	1
13	VC7251	Pressure Spring	1
14	VC7245	Head valve washer	1
15	VC7317	O-ring	1
16	VC7262	O-ring	1
17	VC7246	Head valve piston	1
18	VC7247	Cylinder Seal	1
19	VC7228	Piston	1
20	VC7263	O-ring	1
21	VC7248	Cylinder	1
22	VC7316	O-ring	1
23	VC7250	Check valve	1
24	VC7249	Cylinder ring	1
25	VC7264	O-ring	1
26	VC7229	Bumper	1
27	VC7235	Body	1
30	VC7021	Grip end tape	1
31	VC7020	Grip end tape	1
32	VC7335	Split pin	1
33	VC7265	O-ring	1
34	VC7237	End cap	1
35	VC7236	Socket head cap screw	1
36	VC7356	Disc	1
38	VC7281	O-ring	1
39	VC7254	Spacer	1
40	VC7279	O-ring	1
41	VC7256	Trigger valve housing	1
42	VC7266	O-ring	1
43	VC7267	O-ring	1
44	VC7196	Piston valve	1
45	VC7268	O-ring	1
46	VC7269	O-ring	1
47	VC7252	Pressure Spring	1
48	VC7253	Trigger valve stem	1
49	VC7197	O-ring	2
50	VC7255	Trigger valve cap	1
51	VC7257	Pin	2
52	VC7259	Trigger	1
53	VC7258	Trigger	1

Call-out #	Part Number	Description	Quantity
54	VC7338	Split pin	1
56	VC7261	Cover	1
57	VC7221	Pressure Spring	1
58	VC7024	Contact arm	1
59	VC7270	O-ring	1
60	VC7271	O-ring	1
61	VC7199	Nose	1
62	VC7379	Socket head cap screw	4
63	VC7195	Retainer	1
64	VC7207	Pin	1
65	VC7220	Dust cover hook	1
66	VC7219	Dust cover	1
66	VC7260	Contact arm guide	1
67	VC7206	Door latch	1
68	VC7198	Pressure Spring	1
69	VC7204	Pressure Spring	1
70	VC7203	Check pawl	1
71	VC7202	Door	1
72	VC7334	Split pin	1
73	VC7205	Pin	1
74	VC7210	Leg spring	1
75	VC7208	Feed pawl	1
76	VC7209	Pin	1
77	VC7272	O-ring	1
78	VC7211	Feed piston	1
79	VC7273	O-ring	1
80	VC7213	Pressure Spring	1
81	VC7215	Pressure Spring	1
82	VC7216	Spring guide	1
83	VC7212	Support ring	1
84	VC7214	Spring plate	1
85	VC7347	Snap ring	1
86	VC7025	Magazine cover	1
89	VC7274	Cap	1
90	VC7026	Nail support	1
91	VC7226	Spacer	1
92	VC7227	Tension spring	1
93	VC7225	Magazine post	1
94	VC7274	Cap	1
95	VC7222	Magazine	1
96	VC7224	Post retainer	1
97	VC7223	Pin	1
98	VC7351	Safety nut	2
99	VC7218	Contact arm cover	1
100	VC7217	Disc	1
101	VC7230	Trigger valve stem	1
102	VC7231	Trigger valve cap	1
103	VC7232	Pressure Spring	1
104	VC7233	Trigger	1
105	VC7234	Trigger	1

# Parts Identification

Vertex Fasteners Coil Nailer Type VA0259



THIS DOCUMENT DRAWING IS STRICTLY THE SOLE AND PROPRIETARY PROPERTY OF VERTEX FASTENERS A LEGGETT & PLATT COMPANY. THE ENGINEERING AND DESIGN DATA PRINTED, WRITTEN, DISCLOSED AND CONTAINED HEREIN IS NOT TO BE REPRODUCED DISCLOSED OR USED IN WHOLE OR PART WITHOUT THE WRITTEN CONSENT AND PERMISSION FROM VERTEX FASTENERS.