

Vertex Fasteners Pneumatic Stapler Type VA0264

This Spare parts list/service instructions and the enclosed Operator's Manual constitute the Operating Instructions. Before using read both and strictly observe safety instructions.

Replacing wearing parts

Attention! Always disconnect the tool from its air supply and empty the magazine before attempting any repair.

Replacing the driver

Unscrew cap VC7136, remove spring and main valve (fig. 1). Turn the tool upside down and carefully knock out the driver-piston unit by tapping it gently against a wooden base (fig. 2). With a pin punch tap out pin VC7328 and split pin VC7336. The driver blade can then be removed. Replacement of the blade is a reversal of the above procedure (fig. 3). The cap must be fixed with a torque wrench set to a tightening torque of 8 Nm.

Replacing the piston O-ring

See description "Replacing the driver", then replace O-ring VC7309 (fig. 3) and grease o-ring before refitting.

Replacing the bumper

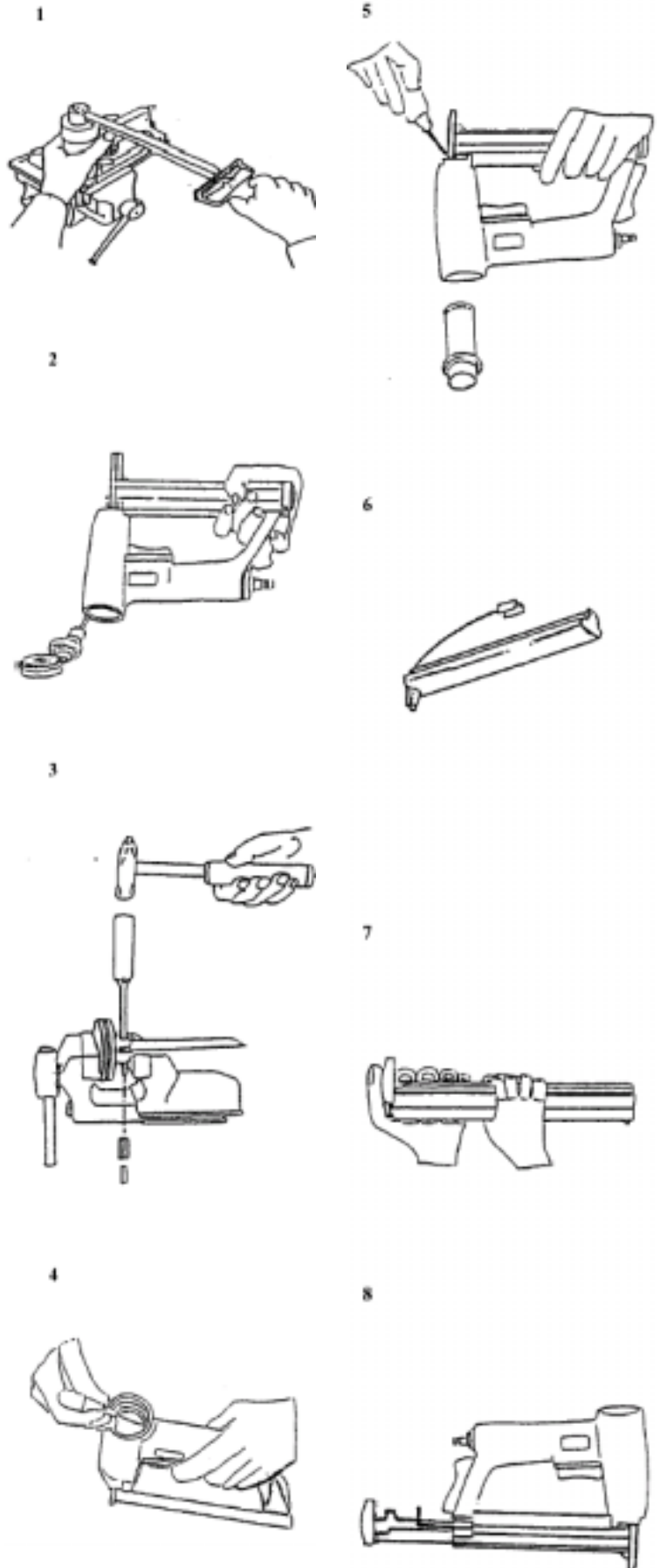
See description "Replacing the driver". Dismantle the O-ring VC7289 using a small screwdriver or pick (fig 4), remove 4 cap screws VC7366 and Front nose VC7152, then push out the bumper and cylinder from below. When re-assembling the device insert the parts using O-ring grease or oil, ensuring that they are positioned correctly (fig. 5).

Replacing the tension spring and the pusher.

Remove the cap screw VC7368 and the stop VC7149 (figure 8). Pull the rail assembly backwards out of the cover (figure 6). Then hook the new tension spring VC7131 into the pusher, guide it backwards under the pulley and hook it into place (figure 7).

Replacing the head valve O-rings

Unscrew the cap, remove main valve. Replace worn o-rings and grease new o-rings before re-assembling.



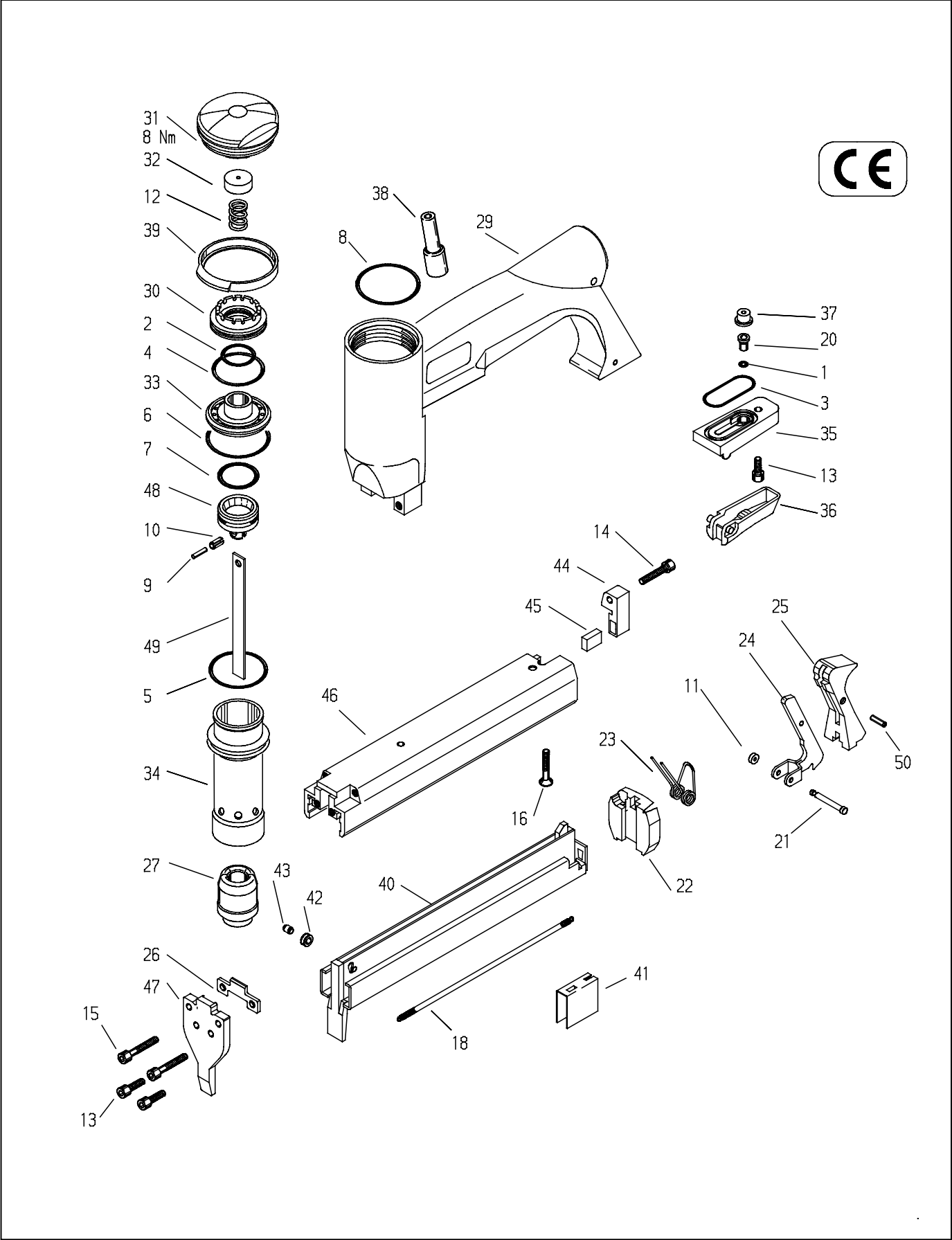
Tool Parts

Vertex Fasteners Pneumatic Stapler Type VA0264

Call-out Number	Part Number	Description	Quantity
1	VC7276	O-ring	1
2	VC7281	O-ring	1
3	VC7284	Seal	1
4	VC7287	O-ring	1
5	VC7289	O-ring	1
6	VC7290	O-ring	1
7	VC7309	O-ring	1
8	VC7325	O-ring	1
9	VC7328	Pin	1
10	VC7336	Split pin	1
11	VC7342	Retainer	1
12	VC7357	Pressure Spring	1
13	VC7366	Socket head cap screw	2
14	VC7368	Socket head cap screw	1
15	VC7370	Socket head cap screw	2
16	VC7382	Socket head flat screw	1
18	VC7131	Tension spring	1
20	VC7059	Valve stem	1
21	VC7126	Pin	1
22	VC7127	End piece	1
23	VC7128	Leg spring	1
24	VC7129	Latch	1
25	VC7130	Latch cover	1
26	VC7132	Nose plate	1
27	VC7133	Bumper	1
29	VC7134	Body	1
30	VC7135	Cap disc	1
31	VC7136	Cap	1
32	VC7137	Seal	1
33	VC7138	Main valve	1
34	VC7139	Cylinder	1
35	VC7140	Valve cap	1
36	VC7141	Trigger	1
37	VC7142	Valve intermediate	1
38	VC7143	Valve bushing	1
39	VC7144	Exhaust ring	1
40	VC7145	Rail assembly	1
41	VC7146	Pusher	1
42	VC7147	Pulley	1
43	VC7148	Pin	1
44	VC7149	Stop	1
45	VC7150	Damper	1
46	VC7151	Cover	1
47	VC7152	Front nose	1
48	VC7153	Piston	1
49	VC7154	Driver blade	1
50	VC7339	Pin	1

Parts Identification

Vertex Fasteners Pneumatic Stapler Type VA0264



THIS DOCUMENT DRAWING IS STRICTLY THE SOLE AND PROPRIETARY PROPERTY OF VERTEX FASTENERS A LEGGETT & PLATT COMPANY. THE ENGINEERING AND DESIGN DATA PRINTED, WRITTEN, DISCLOSED AND CONTAINED HEREIN IS NOT TO BE REPRODUCED DISCLOSED OR USED IN WHOLE OR PART WITHOUT THE WRITTEN CONSENT AND PERMISSION FROM VERTEX FASTENERS.