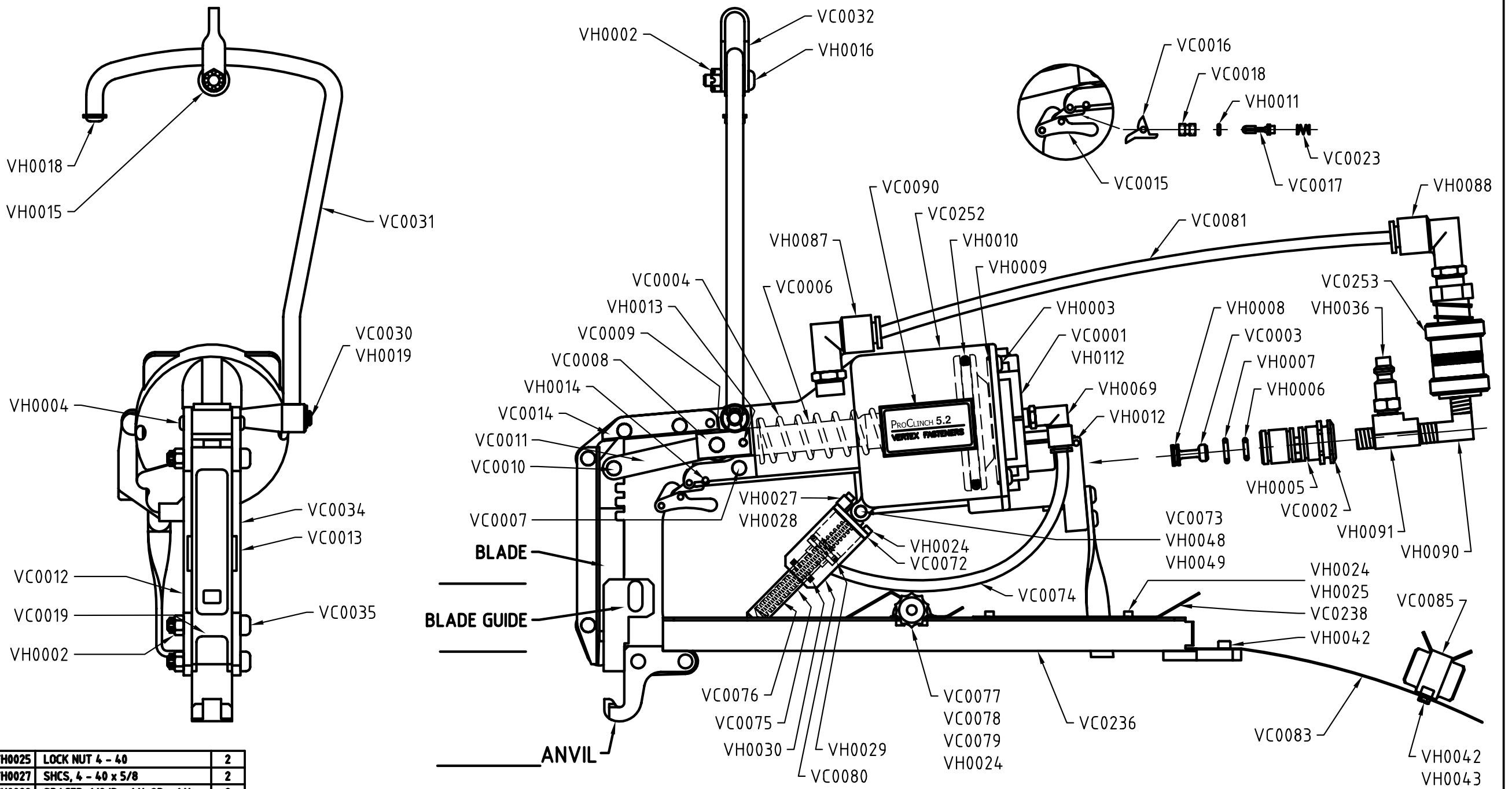


PART #	DESCRIPTION	QTY
VC0001	CAP	1
VC0002	MAIN VALVE BODY	1
VC0003	MAIN VALVE PISTON	1
VC0004	PISTON SPRING	1
VC0006	PISTON	1
VC0007	CYLINDER BODY PIN	1
VC0008	YOKE	1
VC0009	ROLLER	1
VC0010	LINK PIN	2
VC0011	LINK	2
VC0012	SIDE PLATE - RIGHT	1
VC0013	SIDE PLATE - LEFT	1
VC0014	TOP PLATE	1
VC0015	TRIGGER	1
VC0016	TRIGGER VALVE LEVER	1
VC0017	TRIGGER VALVE PISTON	1
VC0018	TRIGGER VALVE SLEEVE	1
VC0019	FRONT PLATE	1
VC0023	TRIGGER VALVE SPRING	1
VC0030	HANGER PIN	1
VC0031	HANGER	1
VC0032	BEARING BRACKET	1
VC0034	PROCLINCH WARNING LABEL	1
VC0035	SHOULDER BOLT (5/16 x 1 1/4)	4
VC0072	CYLINDER END CAP	1
VC0073	TORSION SPRING	1
VC0074	POLYETH BLK TUBE, 1/4 x 8 1/4	1
VC0075	PISTON	1
VC0076	PISTON FEED SPRING	1
VC0077	RESTRICTION FINGER	1
VC0078	FINGER LIFT	1
VC0079	PIVOT BRACKET	2
VC0080	CYLINDER BODY (ROLL FEED)	1
VC0081	NYLON HOSE, 3/8 OD x 7.75	1
VC0083	TRACK ('A' CLIPS)	-
VC0085	TRACK GUIDE ('A' CLIPS)	-
VC0090	PROCLINCH 5.2 LABEL	1
VC0236	MAGAZINE ('A' CLIPS)	1
VC0238	MAGAZINE COVER ('A' CLIPS)	1
VC0252	CYLINDER BODY (SLIDE VALVE)	1
VC0253	SLIDE VALVE	1
VC---	ANVIL	1
VC---	BLADE	1
VC---	BLADE GUIDE	1
VH0002	FLEX NUT	5
VH0003	PLASTITE SCREW (10 - 14 x 3/4)	7
VH0004	BHCS 1/4 - 20 x 1/2	2
VH0005	O-RING: VALVE BODY 5/8 x 3/4	-
VH0006	O-RING: VALVE BODY 5/16 x 1/2	-
VH0007	O-RING: VALVE BODY 3/8 x 9/16	-
VH0008	O-RING: VALVE PISTON 3/8 x 1/2	-
VH0009	O-RING: CAP 2 7/8 x 3	-
VH0010	O-RING: PISTON 2 3/4 x 3 1/8	-
VH0011	O-RING: TRIGGER 1/8 x 1/4 90°	-
VH0012	SPRING PIN 1/8 x 1	1
VH0013	SPRING PIN 5/32 x 1	1
VH0014	DOWEL PIN 1/8 x 3/4	2
VH0015	HANGER BEARING	1
VH0016	BHCS 1/4 x 1	1
VH0018	FLANGE HD SCREW 1/4 - 20 x 3/8	1
VH0019	RETAINER CLIP	1
VH0024	SHCS 4 - 40 x 3/8	8
VH0025	LOCK NUT 4 - 40	2
VH0027	SHCS, 4 - 40 x 5/8	2
VH0028	SPACER, 1/8 ID x 1/4 OD x 1/4	2
VH0029	O-RING 5/8 x 13/16	1
VH0030	O-RING 7/16 x 5/8	1
VH0036	MALE PLUG 1/4 x 1/4	1
VH0042	SHCS 8 - 32 x 1/4	2
VH0043	LOCK NUT 8 - 32	-
VH0048	SHOULDER BOLT 1/4 x 1 1/2	1
VH0049	LOCK NUT 10-24	1
VH0069	PUSH-IN TUBE FITTING, 90° SWIVEL	2
VH0087	ELBOW, SWIVEL 3/8 x 1/4 NPT	1
VH0088	ELBOW, 3/8 x 1/4 NPT	1
VH0090	ELBOW, 3/8 x 1/4 NPT	1
VH0091	MALE ELBOW, 1/4 NPT	1
VH0099	STREET TEE, 1/4 NPT	1
VH0112	O-RING, CAP 5/32 x 9/32	-



(LEFT-SIDE PLATE REMOVED)

CUSTOMER:	REV	DESCRIPTION	BY	APPD	DATE	© 2000	VERTEX FASTENERS INC. 3714 JARVIS AVENUE SKOKIE, IL 60076 U.S.A. FAX: (847) 329-8529 PHONE: (847) 329-8530
	E	2000 FORMAT	JMW		7-20-00	DWN BY JMW	
MODEL NO:	F	SIDE PLATES SHORTENED	JMW		8-30-00	APPD	PROCLINCH 5.2 ('A' CLIPS)
SERIAL NO:	G	CAP # CHNG	JMW		1-30-01	DATE	
ASSEMBLED BY:						SCALE NONE	DWG. NO. VC2014G
SHIP DATE:							