

# Service and Repair Instructions

## Vertex Fasteners Coil Nailer Type VA0406

This Spare parts list/service instructions and the enclosed Operator's Manual constitute the Operating Instructions. Before using read both and strictly observe safety instructions.

### Loading of magazine

Depress door latch on nose-housing door and open magazine cover (fig. 1). Adjust nail support to required nail length. Four adjustments are possible. To adjust lift guidepost until it engages in the required position (fig. 2). Insert the nail coil into the magazine, feed the nails forward locating the first nail between the feed pawl. Then close the magazine cover and the nose-housing door.

**Attention!** Always disconnect the tool from its air supply and empty magazine before attempting any repair. Always fix the cap with 4 cap screws VC7380 and a torque wrench adjusted to 14 Nm.

### To replace driver blade

Take out 4 cap screws VC7380 (fig. 3) and remove the head valve cap. The piston with driver blade can now be removed by using a spare driver blade and pushing it from below (fig. 4). Remove the piston o-ring and heat the piston driver connection to loosen the lock-tite. Remove driver from piston and apply lock-tite to new driver. Before refitting replace piston O-ring VC7263 and grease.

### To replace bumper and cylinder

See instructions "to replace driver blade", then take out piston-driver assembly. Invert machine and tap gently on wooden surface (fig. 5). By the impact, cylinder and bumper will come out and can easily be removed from the housing. Replace damaged parts and grease before refitting.

### To replace O-rings in the head valve assembly

See instructions "to replace driver blade". Take out valve and replace worn O-rings. Grease O-rings before refitting.

Figure 1

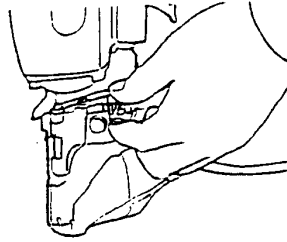


Figure 4

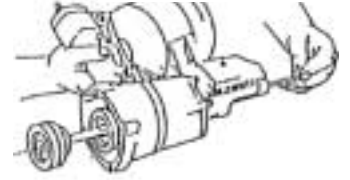


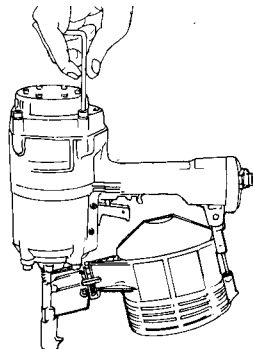
Figure 2



Figure 5



Figure 3



# Tool Parts

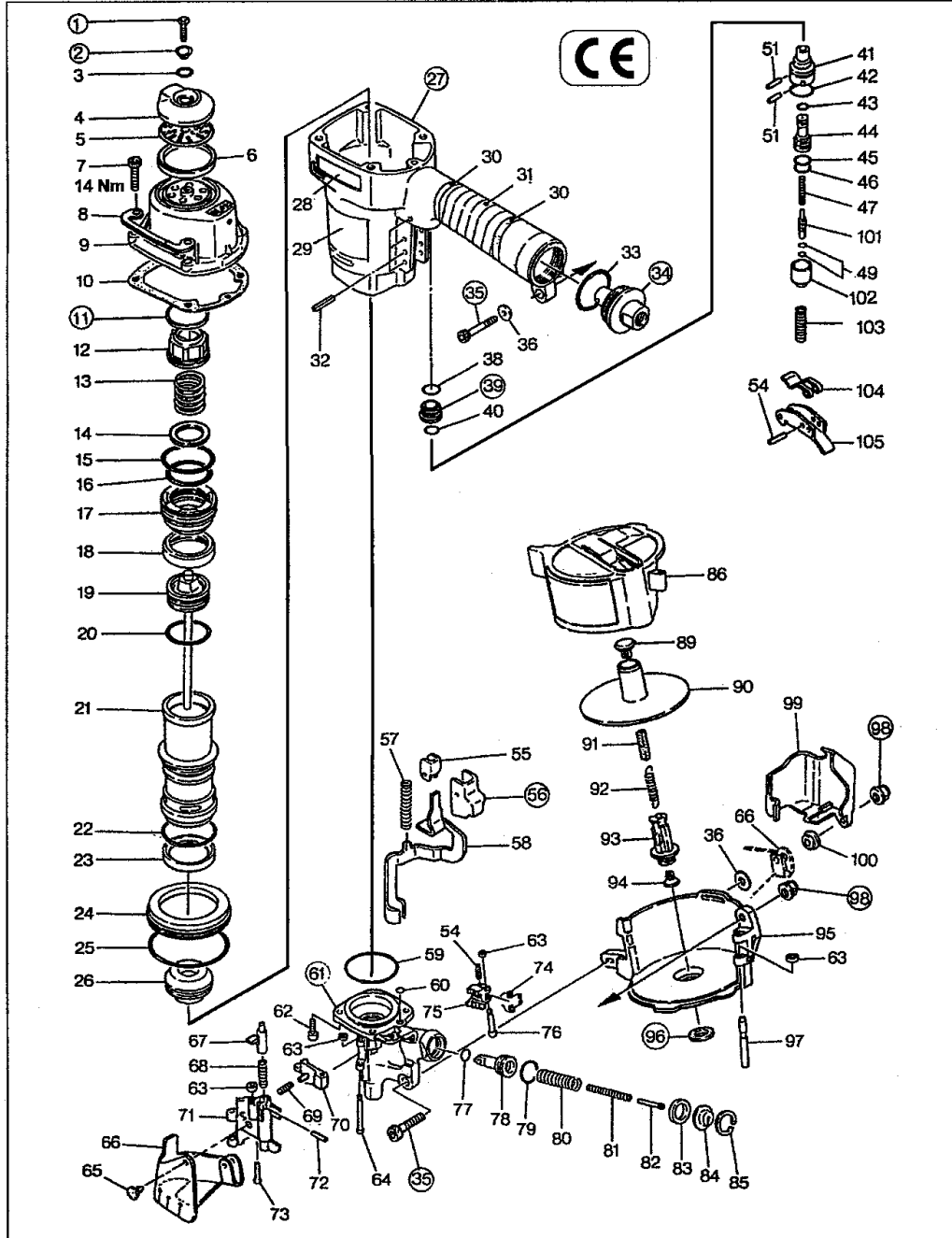
JYFM : UghYbYfg7cJ`BUJYf HndYJ5\$( \$\*

7U'ici h	DUFhBi a VYf	8YgW)dHjcb	Ei UbHjfm
F	XÔI GEE	Ú&^	F
G	XÔI GF	Ôc@.o& c^!ÁQ  á^!	F
H	XÔI FJ	UÊa *	F
I	XÔI G G	Ôc@.o& c^!	F
Í	XÔI G I	Ôc@.o& c^!	F
Î	XÔI G F	Ôc@.o& c^!Á^æ	F
Ï	XÔI H €	Ú   & ^o@æ&æ Á&^	I
ì	XÔI €GH	Øæ ^Á   c& d!	F
J	XÔI G €	P^æ&æ c^!Á&æ	F
F€	XÔI GH	Ôæ \^c	F
FF	XÔI GH	Ú æ&^!Ác@.o c	F
FG	XÔI G H	Úæ d } Á d }	F
FH	XÔI G F	Ú   ^ . o ^ ! ^ Á Ú   a *	F
FI	XÔI G Í	P^æ&æ c^!Á æ @!	F
FÍ	XÔI HFÍ	UÊa *	F
FÌ	XÔI G G	UÊa *	F
FÏ	XÔI G I	P^æ&æ c^!Á æ d }	F
Fì	XÔI G Í	Ô   a ^ ! Á ^ æ	F
FJ	XÔI G G	Úæ d }	F
G€	XÔI G H	UÊa *	F
GF	XÔI G I	Ô   a ^ !	F
GG	XÔI HFÍ	UÊa *	F
GH	XÔI G €	Ô @ & Á c^!	F
G	XÔI G J	Ô   a ^ ! Á a *	F
GÍ	XÔI G I	UÊa *	F
GÌ	XÔI GG	Ô { } ^ !	F
GÏ	XÔI GH	Ô   a ^	F
H€	XÔI €GF	Ô   a ^ ! á æ ^	F
HF	XÔI €GE	Ô   a ^ ! á æ ^	F
HG	XÔI HH	Ú   æ a a	F
HH	XÔI G Í	UÊa *	F
H	XÔI GH	Ô   a ^ æ	F
HÍ	XÔI GH	Ú   & ^ o @ æ & æ Á & ^	F
HÌ	XÔI HÍ	Ô a &	F
HÏ	XÔI G F	UÊa *	F
HJ	XÔI G I	Ú   æ ^ !	F
I€	XÔI G J	UÊa *	F
IF	XÔI G Í	V   a ^ ! Á c^! Á c^! a *	F
IG	XÔI G Í	UÊa *	F
IH	XÔI G Í	UÊa *	F
II	XÔI FJÍ	Úæ d } Á c^!	F
IÍ	XÔI G I	UÊa *	F
IÌ	XÔI G J	UÊa *	F
IÏ	XÔI G G	Ú   ^ . o ^ ! ^ Á Ú   a *	F
Iì			
IJ	XÔI FJÍ	UÊa *	G
Í€			
ÍF	XÔI G Í	Ú a	G
ÍG			
ÍH			

7U'ici h	DUFhBi a VYf	8YgW)dHjcb	Ei UbHjfm
ÍI	XÔI HI	Ú   æ a a	F
ÍÎ	XÔI G F	Ô   c^!	F
ÍÏ	XÔI GF	Ú   ^ . o ^ ! ^ Á Ú   a *	F
ÌI	XÔI €G	Ô   } æ & æ {	F
ÌJ	XÔI G €	UÊa *	F
Ì€	XÔI G F	UÊa *	F
ÌF	XÔI FJ	B   ^	F
ÌG	XÔI H J	Ú   & ^ o @ æ & æ Á & ^	I
ÌH	XÔI FJÍ	Ú ^ æ ^ !	F
ÌI	XÔI G E	Ú a	F
ÌÍ	XÔI G E	Ô ^ . o & c^! Á Q   \	F
ÌÏ	XÔI GF	Ô ^ . o & c^!	F
ÌÌ	XÔI G €	Ô   } æ & æ { Á ^ æ ^	F
ÌÏ	XÔI G E	Ô     Á æ &	F
Ìì	XÔI FJÍ	Ú   ^ . o ^ ! ^ Á Ú   a *	F
ÌJ	XÔI G E	Ú   ^ . o ^ ! ^ Á Ú   a *	F
Ì€	XÔI €H	Ô @ & Á æ	F
ÌF	XÔI €G	Ô	F
ÌG	XÔI HI	Ú   æ a a	F
ÌH	XÔI G E	Ú a	F
ÌI	XÔI G E	S ^ Á   a *	F
ÌÍ	XÔI G E	Ø ^ a Á æ	F
ÌÏ	XÔI G E	Ú a	F
Ìì	XÔI G G	UÊa *	F
ÌJ	XÔI GF	Ø ^ a Á æ d }	F
ÌJ	XÔI G H	UÊa *	F
Ì€	XÔI €H	Ú   ^ . o ^ ! ^ Á Ú   a *	F
ÌF	XÔI G Í	Ú   ^ . o ^ ! ^ Á Ú   a *	F
ÌG	XÔI G Í	Ú   a * Á ^ æ ^	F
ÌH	XÔI €G	Ú   ] ]   c^! a *	F
ÌI	XÔI G F	Ú   a * Á   æ	F
ÌÍ	XÔI H I	Ú   æ Á a *	F
ÌÏ	XÔI €G	T æ æ a ^ Á c^!	F
ÌJ	XÔI G I	Ô æ	F
J€	XÔI €G	B æ Á ^ ] ]   c	F
JF	XÔI G G	Ú   æ ^ !	F
JG	XÔI G G	V ^ . a } Á   a *	F
JH	XÔI G G	T æ æ a ^ Á   ^ c	F
JI	XÔI G I	Ô æ	F
JÍ	XÔI GG	T æ æ a ^	F
JÌ	XÔI G G	Ú   ^ o ^ æ ^ !	F
JÏ	XÔI €H	Ú a	F
Jì	XÔI H F	Ú æ c Á ^ c	G
JJ	XÔI G F	Ô   } æ & æ { & c^!	F
F€€	XÔI G F	Ô a &	F
F€F	XÔI €H	V   a ^ ! Á c^! Á c^!	F
F€G	XÔI €H	V   a ^ ! Á c^! Á c^!	F
F€H	XÔI €H	Ú   ^ . o ^ ! ^ Á Ú   a *	F
F€I	XÔI €H	V   a ^ !	F
F€Í	XÔI €H	V   a ^ !	F

# Parts Identification

Vertex Fasteners Coil Nailer Type VA0406



THIS DOCUMENT DRAWING IS STRICTLY THE SOLE AND PROPRIETARY PROPERTY OF VERTEX FASTENERS A LEGGETT & PLATT COMPANY. THE ENGINEERING AND DESIGN DATA PRINTED, WRITTEN, DISCLOSED AND CONTAINED HEREIN IS NOT TO BE REPRODUCED DISCLOSED OR USED IN WHOLE OR PART WITHOUT THE WRITTEN CONSENT AND PERMISSION FROM VERTEX FASTENERS.