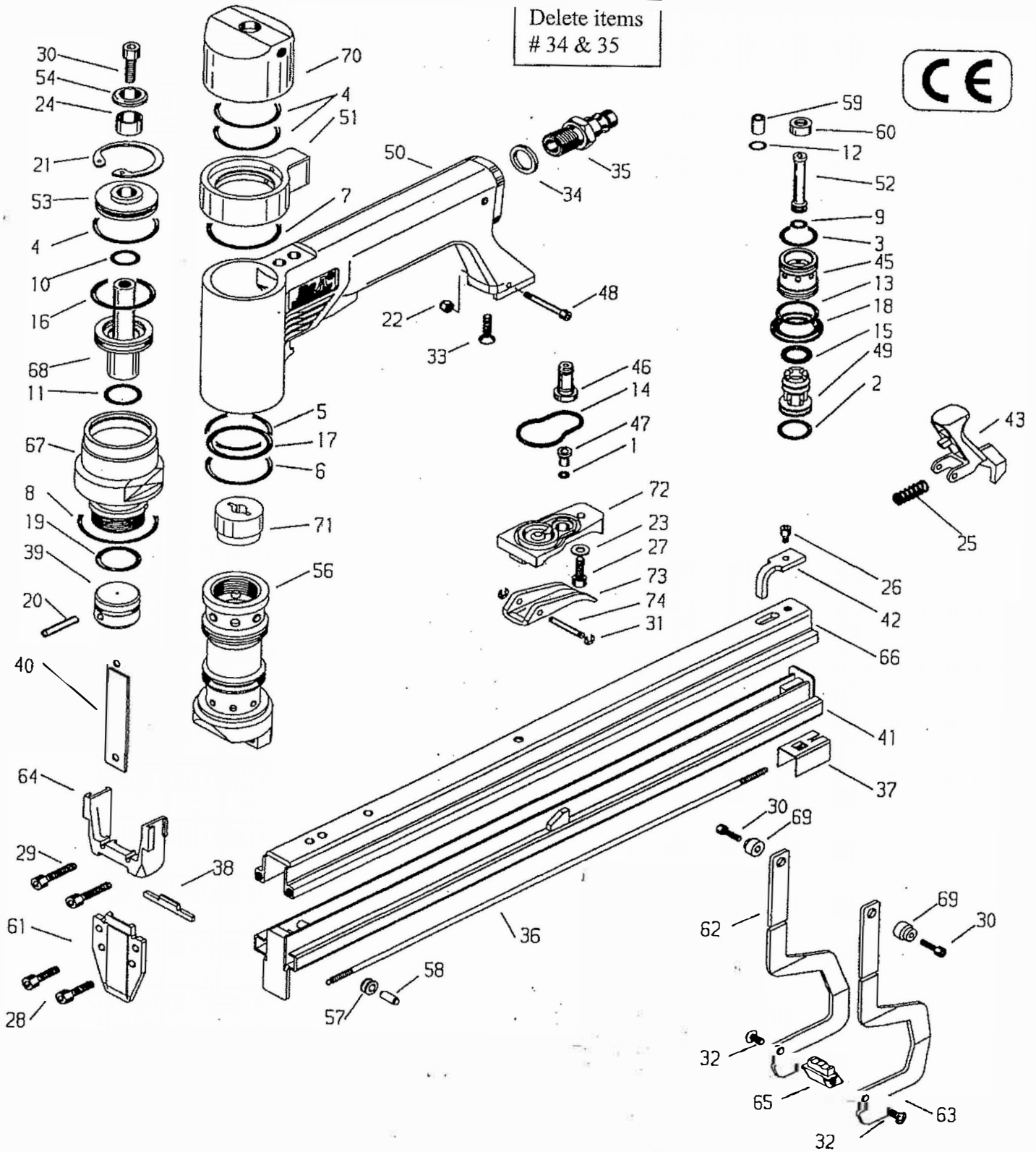


Parts Identification

Vertex Fasteners Pneumatic Plier Stapler Type VA0290



VERTEX  **FASTENERS**

1798 Sherwin Avenue
Des Plaines, IL 60018 U.S.A.
EMAIL: vertex@leggett.com

PHONE: 847-768-6139 FAX: 847-768-7192

Tool Parts

Vertex Fasteners Pneumatic Plier Stapler Type VA0290

Call-out #	Part Number	Description	Quantity
1	VC7276	O-ring	1
2	VC7280	O-ring	1
3	VC7421	O-ring	1
4	VC7286	O-ring	3
5	VC7287	O-ring	1
6	VC7288	O-ring	1
7	VC7422	O-ring	1
8	VC7290	O-ring	1
9	VC7423	O-ring	1
10	VC7295	O-ring	1
11	VC7424	O-ring	1
12	VC7298	O-ring	1
13	VC7300	O-ring	1
14	VC7425	O-ring	1
15	VC7307	O-ring	1
16	VC7426	O-ring	1
17	VC7310	O-ring	1
18	VC7427	O-ring	1
19	VC7326	O-ring	1
20	VC7330	Pin	1
21	VC7431	Snap ring	1
22	VC7348	Safety nut	1
23	VC7354	Washer	1
24	VC7432	Bushing	1
25	VC7488	Pressure spring	1
26	VC7489	Socket head cap screw	1
27	VC7366	Socket head cap screw	1
28	VC7367	Socket head cap screw	2
29	VC7490	Socket head cap screw	2
30	VC7374	Socket head cap screw	3
31	VC7429	Retainer	1
32	VC7384	Button head socket screw	2
33	VC7389	Torx head screw	1
36	VC7491	Tension spring	1
37	VC7057	Pusher	1
38	VC7440	Nose plate	1
39	VC7058	Piston	1
40	VC7492	Driver blade	1
41	VC7493	Rail assembly	1
42	VC7494	Stop	1
43	VC7495	Locking pawl	1
45	VC7443	Valve cylinder	1
46	VC7444	Intermediate valve cylinder	1
47	VC7059	Valve stem	1
48	VC7060	Socket head cap screw	1
49	VC7446	Valve shaft	1
50	VC7460	Body	1

Call-out #	Part Number	Description	Quantity
51	VC7461	Adapter	1
52	VC7454	Socket	1
53	VC7464	Cover plate	1
54	VC7465	Damper	1
55	VC7467	Socket head cap screw	2
56	VC7468	Cylinder	1
57	VC7089	Pulley	1
58	VC7090	Pin	1
59	VC7470	Sleeve	1
60	VC7471	Gasket	1
61	VC7496	Front nose	1
62	VC7497	Clinching jaw, right	1
63	VC7498	Clinching jaw, left	1
64	VC7499	Support	1
65	VC7500	Clinch plate	1
66	VC7501	Cover	1
67	VC7502	Cylinder	1
68	VC7503	Piston	1
69	VC7504	Bushing	2
70	VC7505	Cap	1
71	VC7459	Bumper	1
72	VC7441	Valve cap	1
73	VC7442	Trigger	1
74	VC7438	Pin	1

THIS DOCUMENT DRAWING IS STRICTLY THE SOLE AND PROPRIETARY PROPERTY OF VERTEX FASTENERS A LEGGETT & PLATT COMPANY. THE ENGINEERING AND DESIGN DATA PRINTED, WRITTEN, DISCLOSED AND CONTAINED HEREIN IS NOT TO BE REPRODUCED DISCLOSED OR USED IN WHOLE OR PART WITHOUT THE WRITTEN CONSENT AND PERMISSION FROM VERTEX FASTENERS.