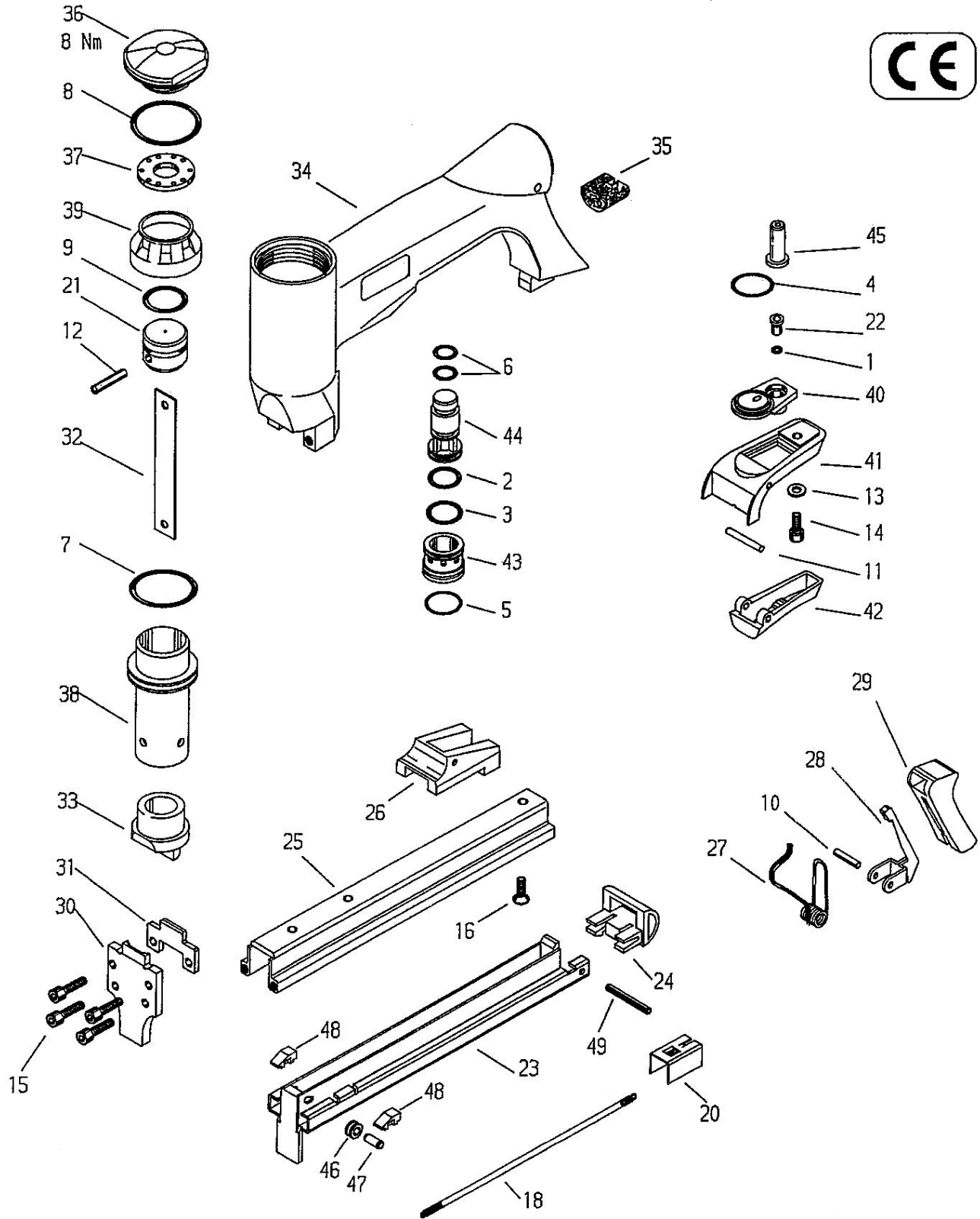


Parts Identification

Vertex Fasteners Pneumatic Stapler Type VA0260



THIS DOCUMENT DRAWING IS STRICTLY THE SOLE AND PROPRIETARY PROPERTY OF VERTEX FASTENERS A LEGGETT & PLATT COMPANY. THE ENGINEERING AND DESIGN DATA PRINTED, WRITTEN, DISCLOSED AND CONTAINED HEREIN IS NOT TO BE REPRODUCED DISCLOSED OR USED IN WHOLE OR PART WITHOUT THE WRITTEN CONSENT AND PERMISSION FROM VERTEX FASTENERS.

Tool Parts

Vertex Fasteners Pneumatic Stapler Type VA0260

Call-out Number	Part Number	Description	Quantity
1	VC7276	O-ring	1
2	VC7280	O-ring	1
3	VC7281	O-ring	1
4	VC7292	O-ring	1
5	VC7300	O-ring	1
6	VC7307	O-ring	2
7	VC7311	O-ring	1
8	VC7313	O-ring	1
9	VC7326	O-ring	1
10	VC7065	Pin	1
11	VC7329	Pin	1
12	VC7330	Pin	1
13	VC7354	Washer	1
14	VC7365	Socket Head Cap Screw	1
15	VC7390	Socket Head Cap Screw	4
16	VC7389	Socket Head Flat Screw	1
18	VC7063	Tension Spring	1
20	VC7057	Pusher	1
21	VC7058	Piston	1
22	VC7059	Valve Stem	1
23	VC7062	Rail Assembly	1
24	VC7016	End Piece	1
25	VC7064	Magazine Cover	1
26	VC7013	Cover Stop	1
27	VC7066	Leg Spring	1
28	VC7067	Latch	1
29	VC7068	Latch Cover	1
30	VC7069	Front Nose	1
31	VC7070	Nose Plate	1
32	VC7071	Driver Blade	1
33	VC7072	Bumper	1
34	VC7073	Body	1
35	VC7074	Muffler	1
36	VC7075	Cap	1
37	VC7076	Damper	1
38	VC7077	Cylinder	1
39	VC7078	Cylinder Support	1
40	VC7079	Valve Seal	1
41	VC7080	Valve Cap	1
42	VC7081	Trigger	1
43	VC7082	Valve Cylinder	1
44	VC7083	Valve Shaft	1
45	VC7084	Intermediate Valve	1
46	VC7089	Pulley	1
47	VC7090	Pin	1
48	VC7014	Stop	2
49	VC7001	Split Pin	1

THIS DOCUMENT DRAWING IS STRICTLY THE SOLE AND PROPRIETARY PROPERTY OF VERTEX FASTENERS A LEGGETT & PLATT COMPANY. THE ENGINEERING AND DESIGN DATA PRINTED, WRITTEN, DISCLOSED AND CONTAINED HEREIN IS NOT TO BE REPRODUCED DISCLOSED OR USED IN WHOLE OR PART WITHOUT THE WRITTEN CONSENT AND PERMISSION FROM VERTEX FASTENERS.

Rev B
3/12/2010



1798 Sherwin Avenue
Des Plaines, IL 60018 U.S.A.
EMAIL: vertex@leggett.com
PHONE: 847-768-6139 FAX: 847-768-7192